

DUNNEE DOO L011900 - PRODUCT SHEET

Product Information

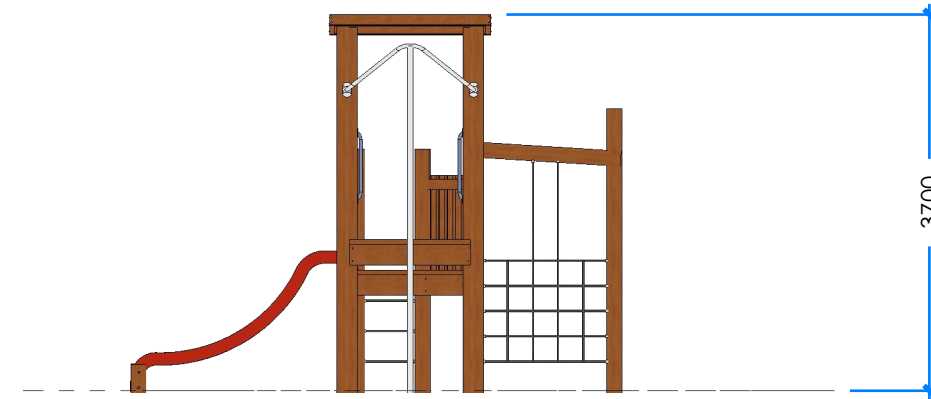
Category:	ELEVATED PLAY
Name:	DUNNEE DOO
Code:	L011900
Free Height of Fall:	2,400 mm



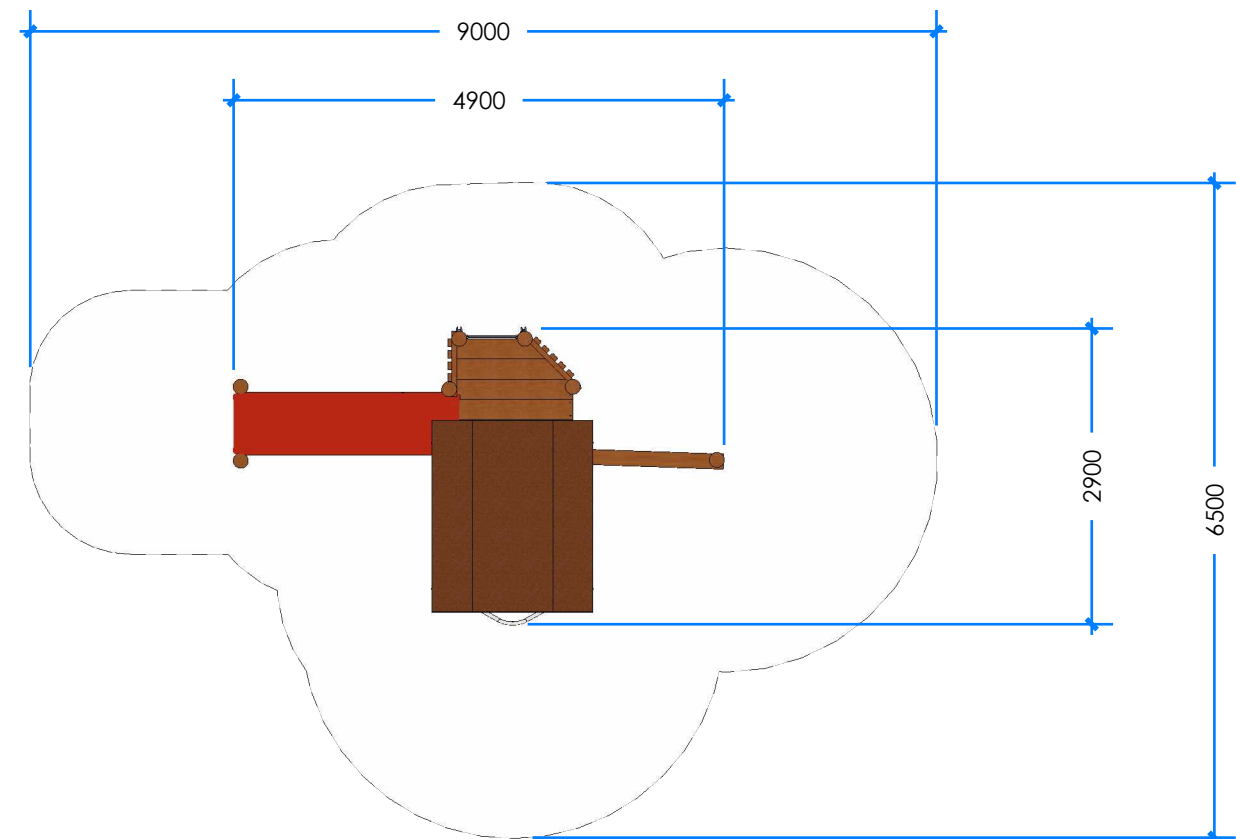
1 PERSPECTIVE
Scale: NTS

* Most Lypa products are hand-crafted so actual dimensions may vary. Please advise of particular requirements or constraints to be accommodated.

** This drawing and the information on it remains the property of lyPa Pty Ltd. Written permission must be obtained from lyPa Pty Ltd to copy or produce the whole or part of this drawing or product.



2 ELEVATION
Scale: 1:75



3 TOP
Scale: 1:75