

# L002900 HARVEY CLIMBER

## Product Information

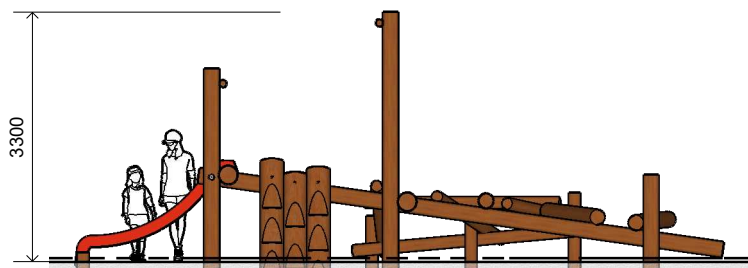
Category:	Elevated Play
Name:	Harvey Climber
Code:	L002900

## Dimensions (mm)

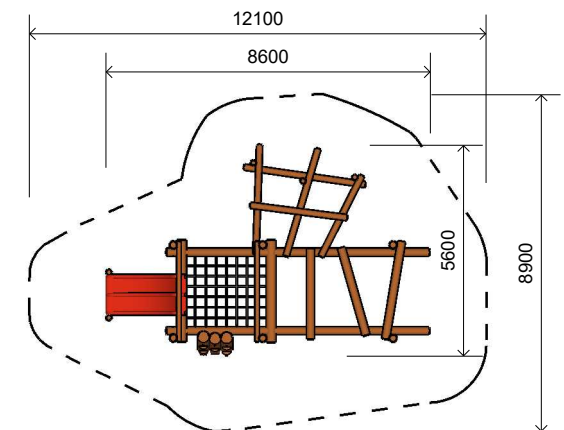
Length:	8,600
Width:	5,600
Overall Height:	3,300



1 **Perspective**  
Scale: NTS



2 **Front View**  
Scale: 1:100



3 **Top View**  
Scale: 1:200

\* Most LyPa products are hand-crafted so actual dimensions may vary.  
Please advise of particular requirements or constraints to be accommodated.

\*\* This drawing and the information on it remains the property of lyPa Pty Ltd. Written permission must be obtained from lyPa Pty Ltd to copy or produce the whole or part of this drawing or product.