

HILLBILLY



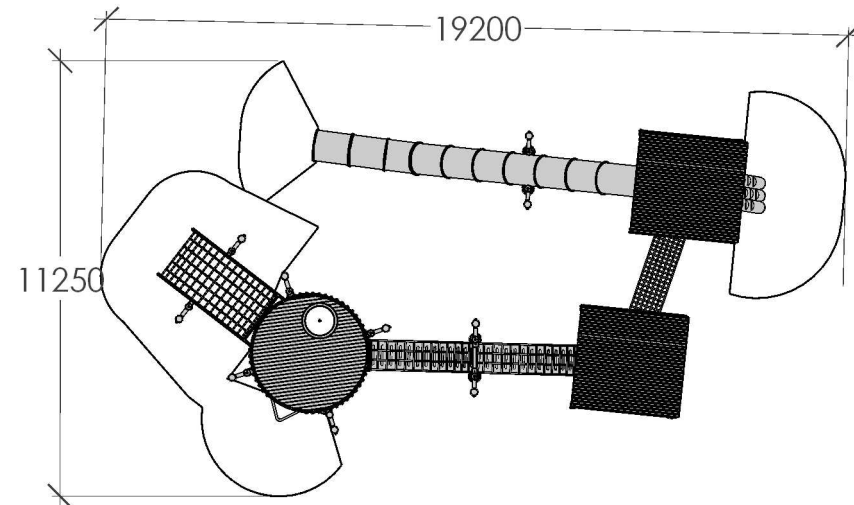
Crafted Play + Urban Elements

Product Information

Category:	Elevated Play
Name:	Hillbilly
Code:	L012800

Dimensions (mm) - Variable

Built to suit topography



* Most Lypa products are hand-crafted so actual dimensions may vary.
Please advise of particular requirements or constraints to be accommodated.

** This drawing and the information on it remains the property of lyPa Pty Ltd.
Written permission must be obtained from lyPa Pty Ltd to copy or produce the
whole or part of this drawing or product.

NTS