

L010000 KARA KARA TOWER



Product Information

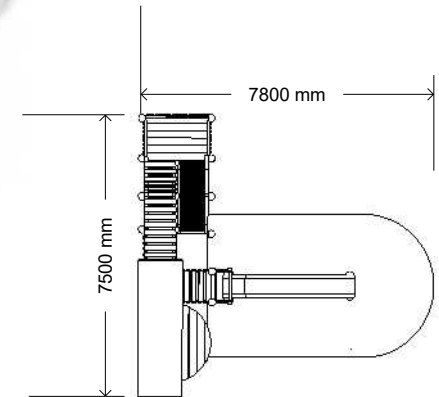
Category: Elevated Play
 Name: KARA KARA TOWER
 Code: L010000

Dimensions (mm)

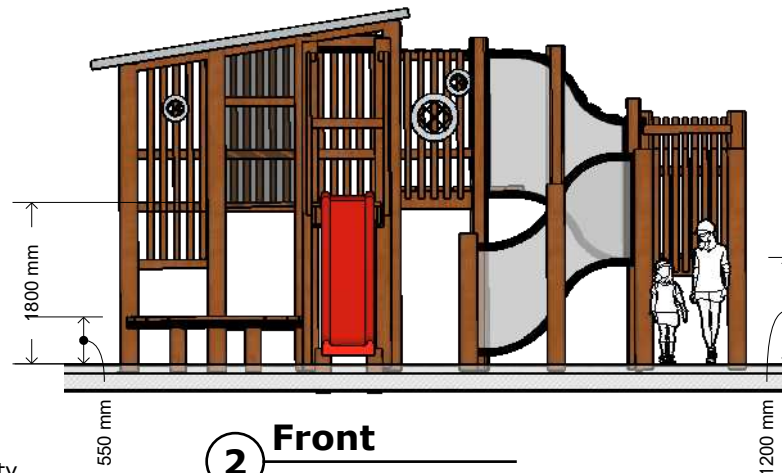
Slide Height: 1,800
 Overall Height: 4,100



1 Isometric View
 Scale: NTS



3 Fall Zone
 Scale: NTS



2 Front
 Scale: NTS

* Most LyPa products are hand-crafted so actual dimensions may vary. Please advise of particular requirements or constraints to be accommodated.

** This drawing and the information on it remains the property of LyPa Pty Ltd. Written permission must be obtained from LyPa Pty Ltd to copy or produce the whole or part of this drawing or product.