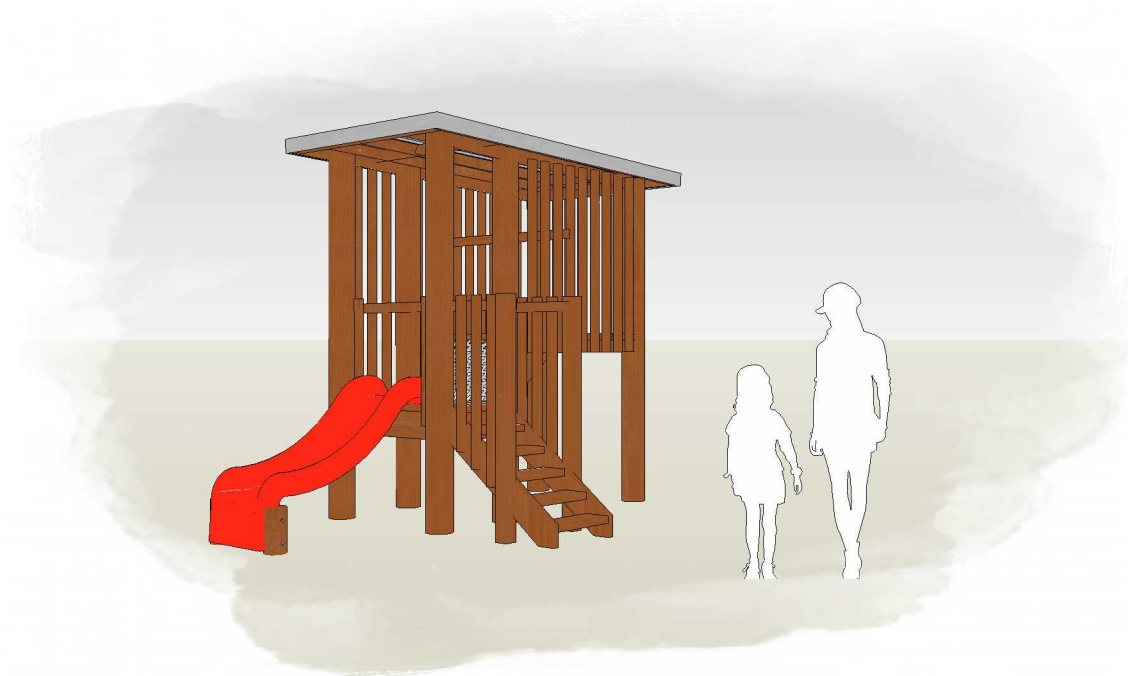


SHACK L011600 - PRODUCT SHEET

Product Information

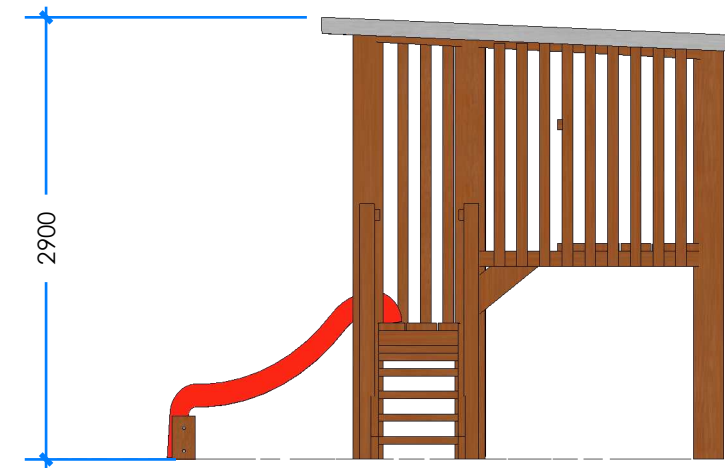
Category:	ELEVATED PLAY
Name:	SHACK
Code:	L011600
Free Height of Fall:	900 mm



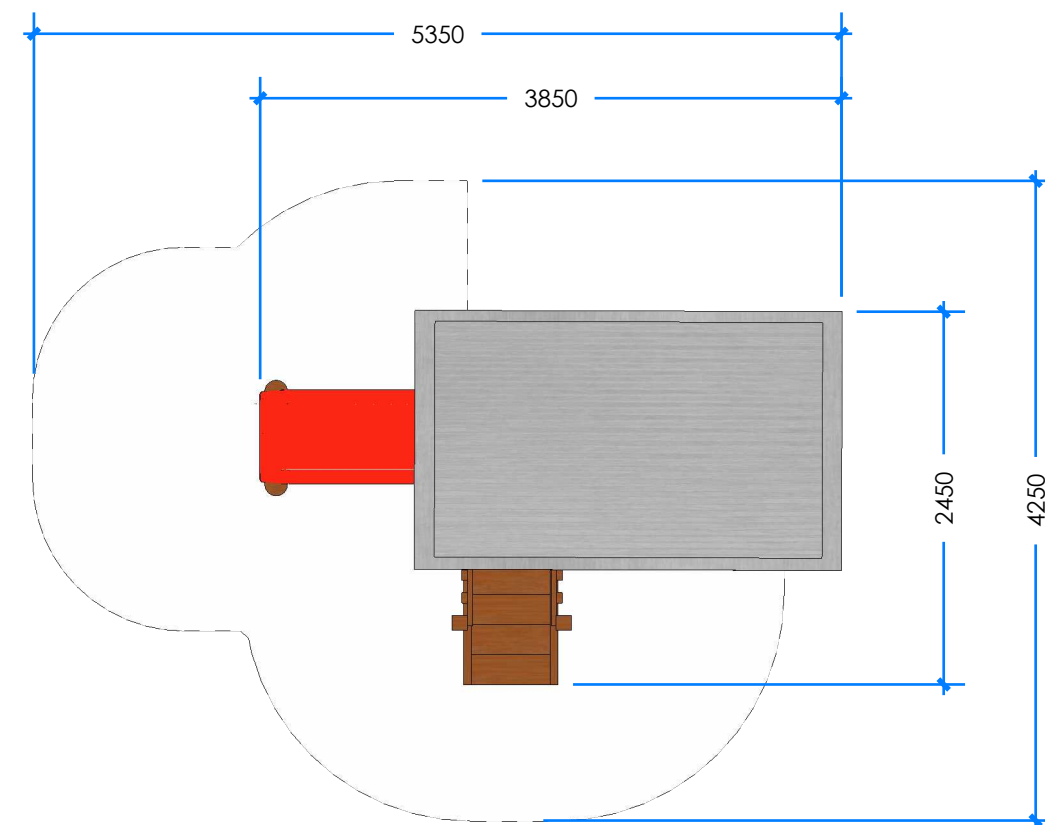
1 PERSPECTIVE
Scale: NTS

* Most Lypa products are hand-crafted so actual dimensions may vary. Please advise of particular requirements or constraints to be accommodated.

** This drawing and the information on it remains the property of lyPa Pty Ltd. Written permission must be obtained from lyPa Pty Ltd to copy or produce the whole or part of this drawing or product.



2 ELEVATION
Scale: 1:50



3 TOP
Scale: 1:50