

# WILLY WILLY SPINNER L002400 - PRODUCT SHEET

## Product Information

Category:	DYNAMIC
Name:	WILLY WILLY SPINNER
Code:	L002400
Free Height of Fall:	N/A mm

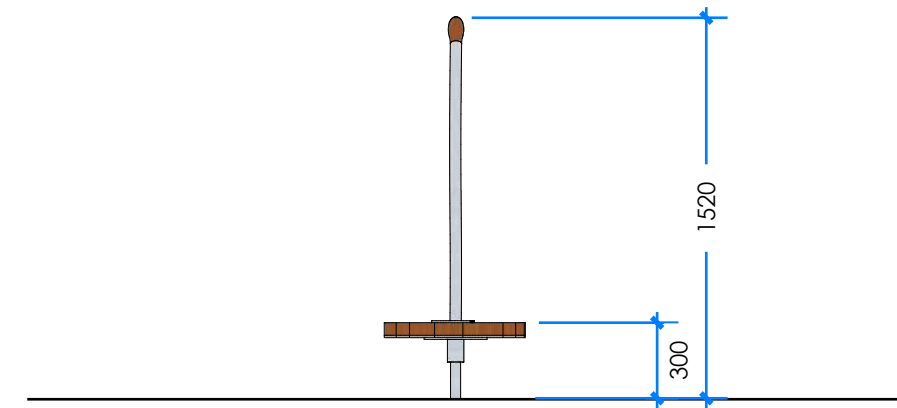


### 1 PERSPECTIVE

Scale: NTS

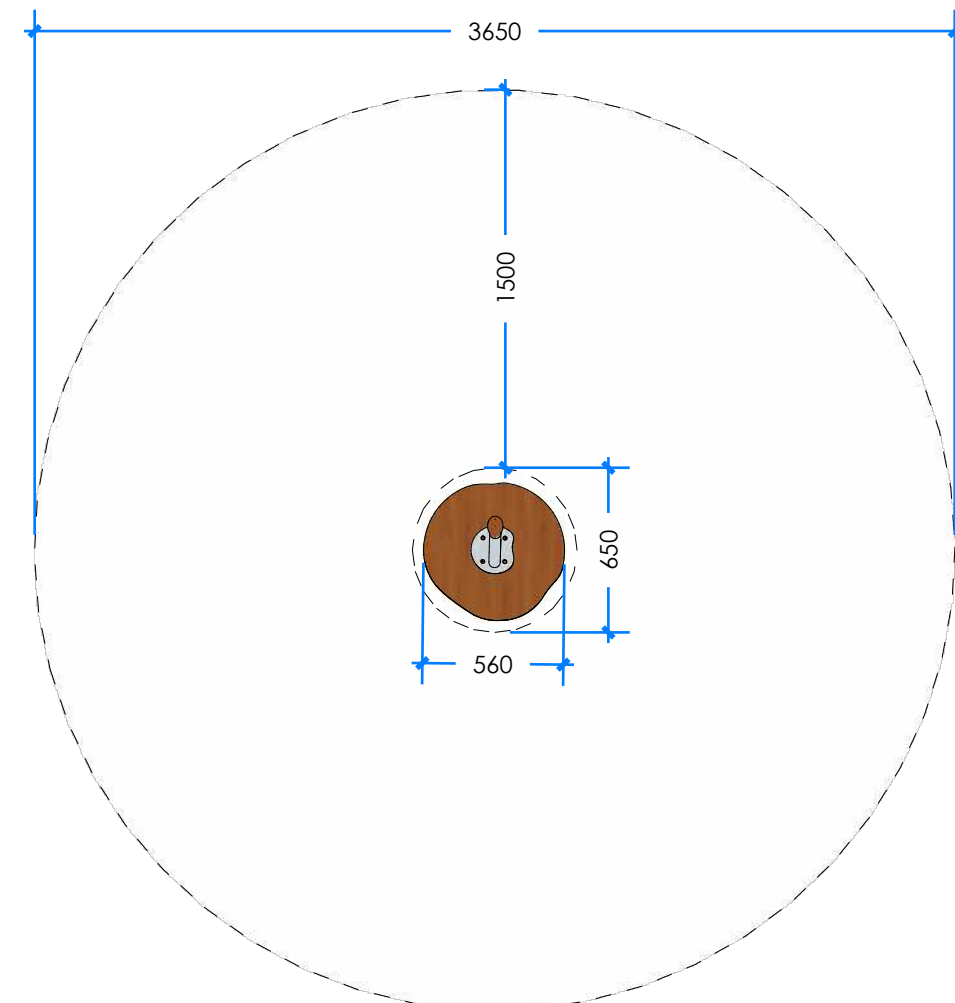
\* Most Lypa products are hand-crafted so actual dimensions may vary. Please advise of particular requirements or constraints to be accommodated.

\*\* This drawing and the information on it remains the property of lyPa Pty Ltd. Written permission must be obtained from lyPa Pty Ltd to copy or produce the whole or part of this drawing or product.



### 2 ELEVATION

Scale: 1:30



### 3 TOP

Scale: 1:30